

# LOBERON

COMING HOME

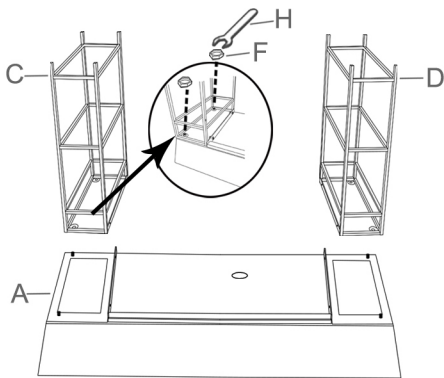


Ax1 	Cx1 	Dx1 	Ex2 	Fx8 	Gx4 	Hx1 
Bx1 			Ix4 	Jx1 	Kx2 	Lx2 

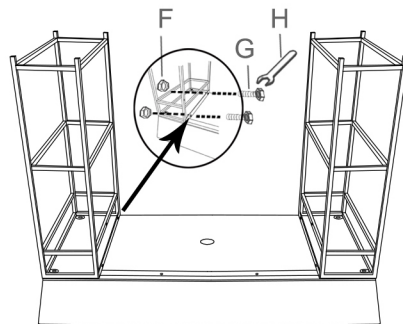
1

2

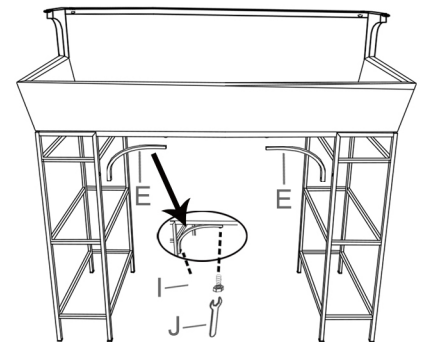
3



4



5



6

