
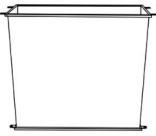
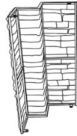
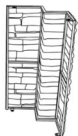
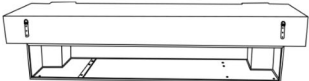





LOBERON

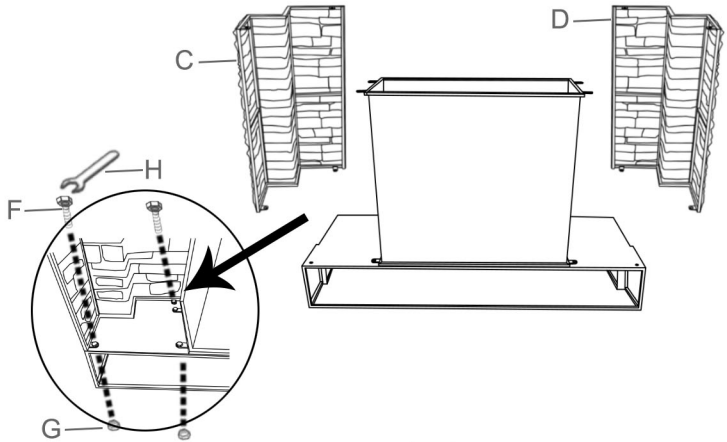
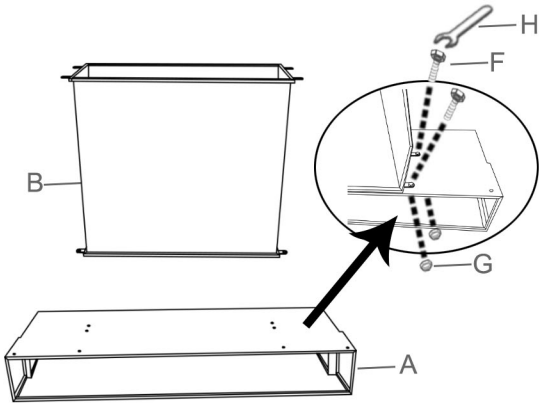
COMING HOME



Ax1 	Bx1 	Cx1 	Dx1 
Ex1 	Fx16  φ8x20mm	Gx16  φ8	Hx1  φ8

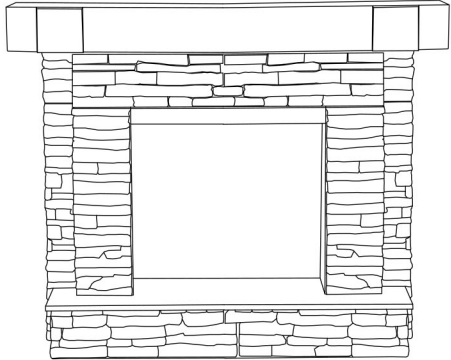
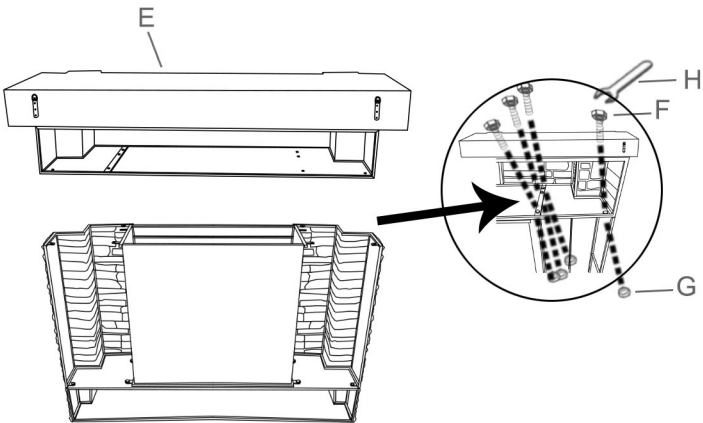
1

2



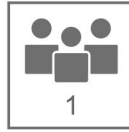
3

4



LOBERON

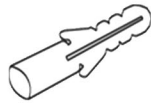
COMING HOME



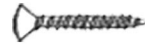
Ax2



Bx4



Cx4

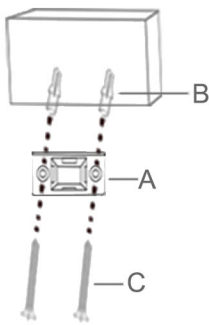


$\phi 3.5 \times 40 \text{mm}$

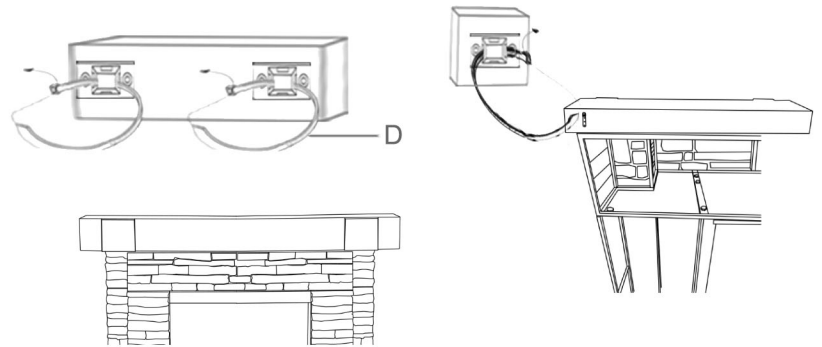
Dx2



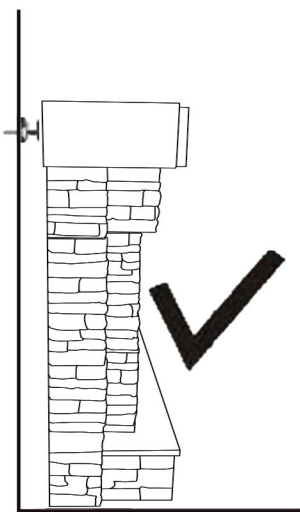
1



2



3



4

