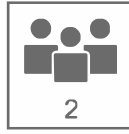
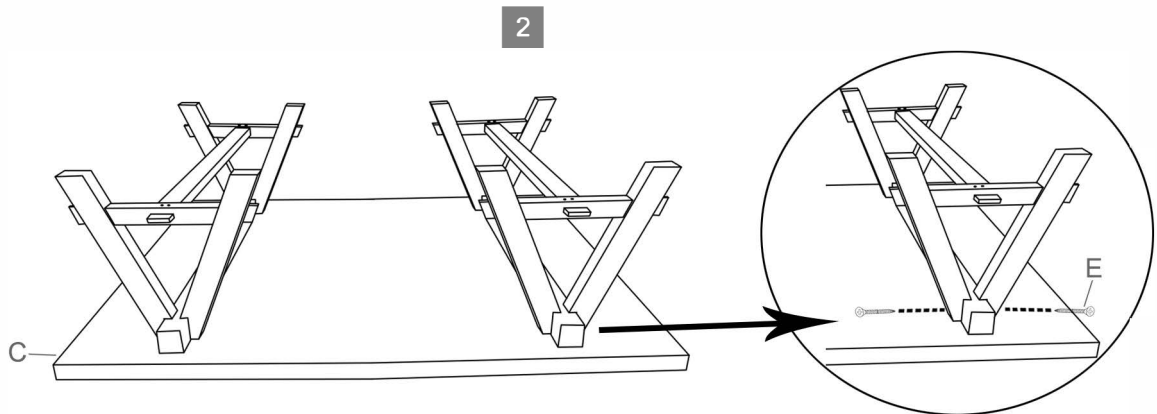
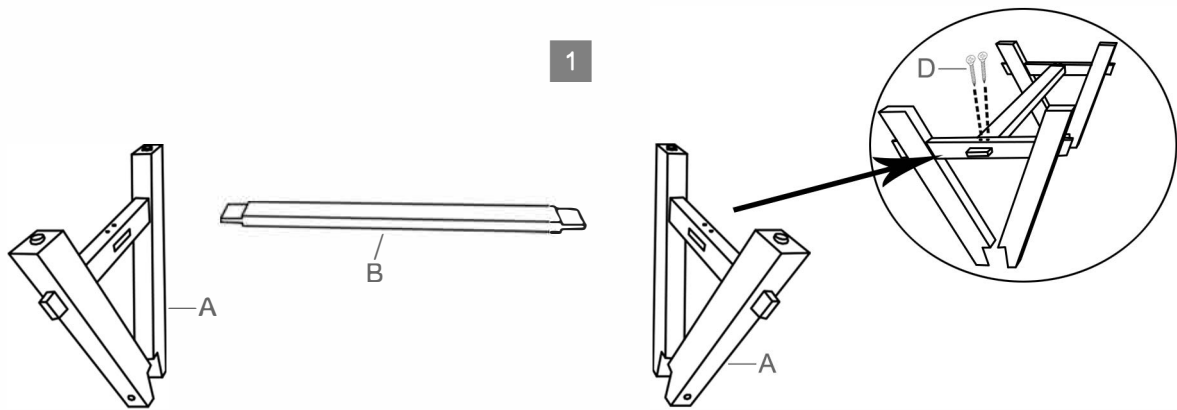


LOBERON

COMING HOME



Ax4	Bx2	Cx1	Dx8	Ex8
			$\phi 2.5 \times 25 \text{mm}$	$\phi 2.5 \times 40 \text{mm}$



3

